

## GXL-GC02 Lock For Inset Swinging Glass Door

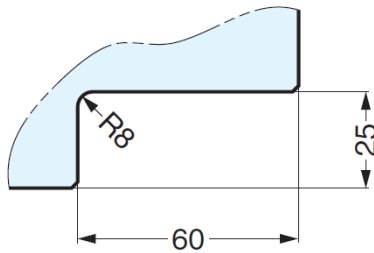
### Features

- Non-handed
- Key hole located on the right side for clean appearance and high security
- 24 key changes available

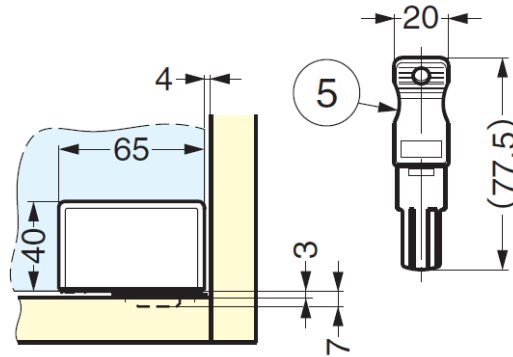
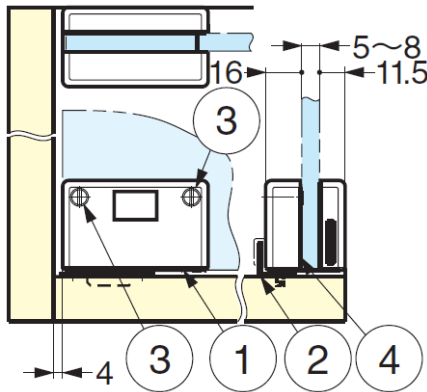
### Parts Included

- Gasket
- Countersunk head wood screw 3.1×20 (SUS)

### Cut Out Dimensions



No	Part Name	Material	Finish/Colour
①	Body	Zinc Alloy (ZDC)	Chrome
②	Strike	Stainless Steel (SUS304)/Chloroprene Rubber (CR)	Gloss Barrel/Black
③	Fixing Screw	Stainless Steel (SUS304)	Plain
④	Spacer	Rubber	Black
⑤	Key	Brass/ABS	Nickel/Black



Part No.	Key Type	Type	Glass Thickness
GXL-GC02-R-CR-B	Keyed Differently	Right	5, 6, 8
GXL-GC02-R-CR-D	Keyed Alike		
GXL-GC02-L-CR-B	Keyed Differently	Left	
GXL-GC02-L-CR-D	Keyed Alike		